

WRT4500 SERIES

 CUSTOM SERIES WOOD BURNING FIREPLACES

Superior[™]
FIREPLACES
Our name is our promise.



TRADITIONAL

“Impressive” is the only way to describe these massive wood-burners. Designed for large, custom applications, the WRT4500 Custom Series fireplaces feature a 30” tall opening and beautiful brick panels that mimic a masonry fireplace.



FEATURED WRT4550 with White Herringbone brick.

EXCLUSIVE FEATURES

- 🔥 Clean face design with a true masonry appearance
- 🔥 Convenient hidden ash dump
- 🔥 Tall 30" opening provides exceptional viewing area
- 🔥 No visible smoke shelf for trouble free operation in colder climates
- 🔥 Uses IHP 12DM wood burning chimney
- 🔥 20 year limited warranty



WRT4542 with its impressively large flame display.

INTERIOR LINER OPTIONS

(Required)

Choose from Warm Red or White stacked and herringbone liner to complement your decor.



Warm Red Stacked



Warm Red Herringbone



White Stacked



White Herringbone

WOOD NOOKS

(Optional)

Choose from two wood nook styles



Round-Top Nook



Dog-House Nook

GLASS DOORS - BI FOLD



Brushed Brass

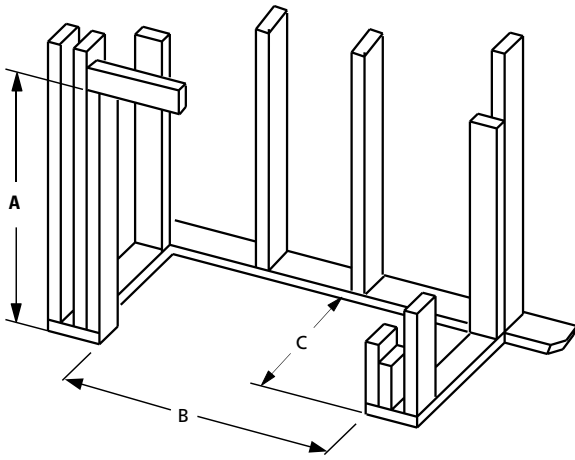


Black



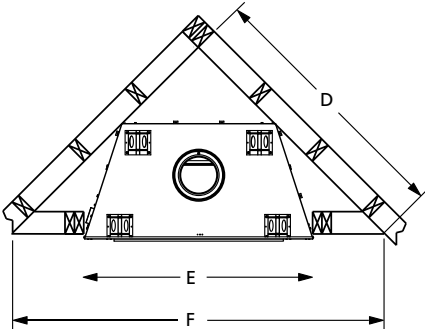
Platinum

FLAT WALL FRAMING SPECIFICATIONS



	36"	42"	50"
A	67-1/8"	67-1/8"	67-1/8"
B	45-1/4"	51-1/4"	59"
C	28-1/4"	30-1/8"	30-1/8"

CORNER FRAMING SPECIFICATIONS



	36"	42"	50"
D	61"	65"	71"
E	45-1/4"	51-1/4"	59"
F	86-1/2"	92"	100"

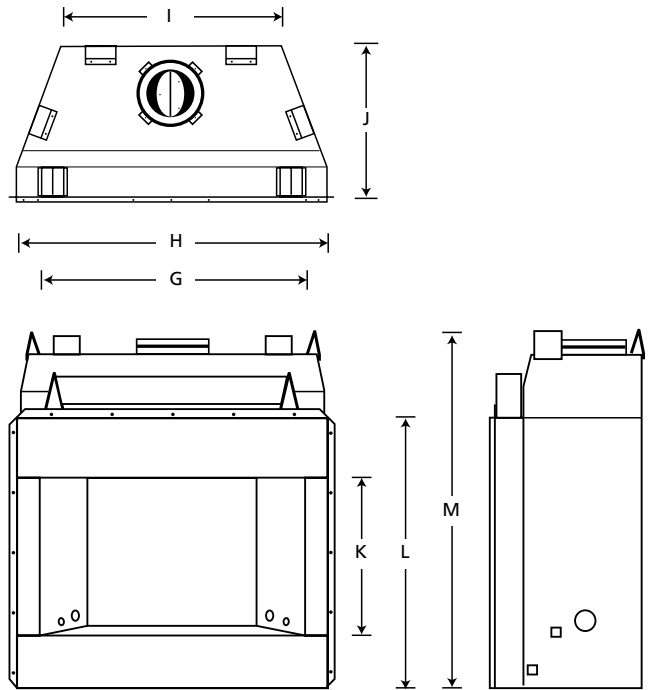
On the Cover WRT4550 with Warm Red Stacked brick.

IMPORTANT NOTES:

As with any heating appliance, fireplace or stove, this appliance is extremely hot during operation. Read and understand all operating instructions before using this appliance. For further information, consult your dealer. Local conditions, such as elevation, wind, vent configuration and choice of fuel will affect overall appearance of the fire and heating performance. Performance can also vary with home design and insulation, climate, condition and type of fuel used, appliance location, burn rate, accessories chosen, chimney installation and how the appliance is operated.

Diagrams, illustrations and photographs are not to scale—consult installation instructions. Product designs, materials, dimensions, specifications, colors and prices are subject to change or discontinuance without notice.

APPLIANCE SPECIFICATIONS



	36"	42"	50"
G	36"	42"	50"
H	45"	51"	59"
I	29-1/8"	30-1/2"	38-1/2"
J	26-1/2"	29"	29"
K	30"	30"	30"
L	49"	49"	49"
M	66-1/4"	67"	67"



Visit us online



www.SuperiorFireplaces.us.com

Superior
FIREPLACES

© 2014 Innovative Hearth Products

785353M 04/14

