

WRT35ST

PRO SERIES WOOD BURNING FIREPLACES

**Superior**<sup>™</sup>  
FIREPLACES  
*Our name is our promise.*



**TRADITIONAL**

Our WRT35ST combines the ambiance of a wood-burning fireplace with built-in value, beauty and versatility for most any application.

**FEATURES**

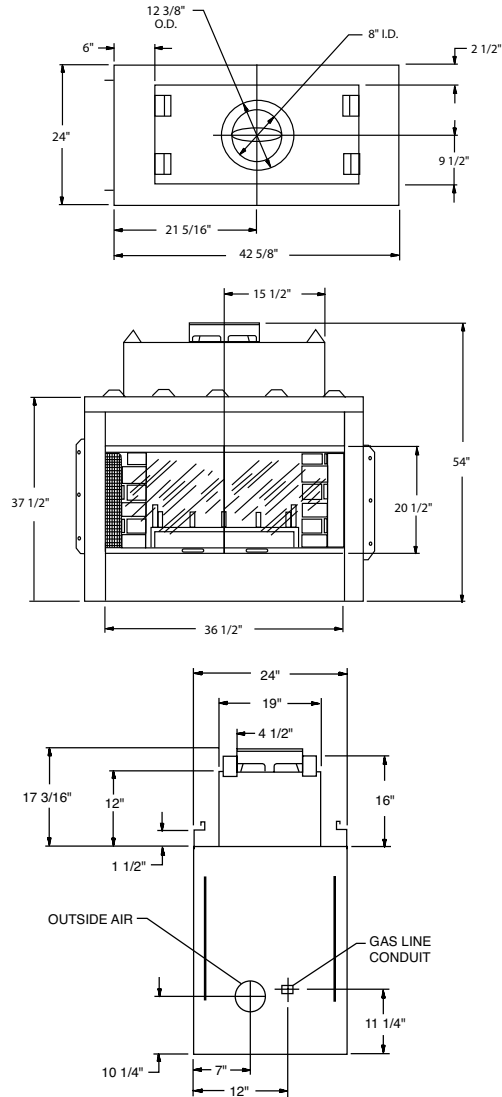
- 🔥 Two sided see-through design for the perfect fire presentation
- 🔥 Uses IHP 8DM double wall wood-burning chimney
- 🔥 Durable powder-coat finish scratch resistant surfaces and carefree handling
- 🔥 Standard fuel grate, damper and mesh fire screens
- 🔥 White stacked refractory liners
- 🔥 20 year limited warranty

**INTERIOR LINER OPTIONS**



White Stacked

## APPLIANCE SPECIFICATIONS

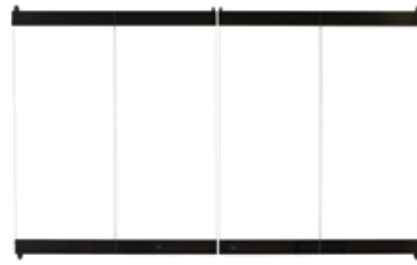


### IMPORTANT NOTES:

As with any heating appliance, fireplace or stove, this appliance is extremely hot during operation. Read and understand all operating instructions before using this appliance. For further information, consult your dealer. Local conditions, such as elevation, wind, vent configuration and choice of fuel will affect overall appearance of the fire and heating performance. Performance can also vary with home design and insulation, climate, condition and type of fuel used, appliance location, burn rate, accessories chosen, chimney installation and how the appliance is operated.

Diagrams, illustrations and photographs are not to scale—consult installation instructions. Product designs, materials, dimensions, specifications, colors and prices are subject to change or discontinuance without notice.

## OPTIONAL ACCESSORIES



Bi-Fold Glass Doors



Brushed Brass



Black

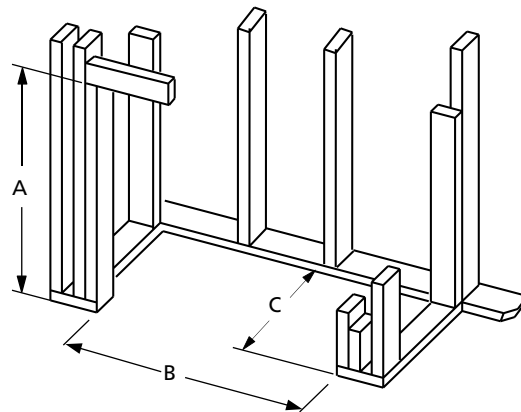


Platinum

## ADDITIONAL ACCESSORIES

### A. Outside Air Kits

## FRAMING SPECIFICATIONS



WRT355T

WIDTH	44-5/8"
HEIGHT	53-7/8"
DEPTH	22-3/4"



© 2014 Innovative Hearth Products  
785363M 04/14

Visit us online



www.SuperiorFireplaces.us.com

