

DRT6300 SERIES

 SIGNATURE SERIES DIRECT VENT FIREPLACES

Superior[™]
FIREPLACES
Our name is our promise.



TRADITIONAL

A stunning clean face design with amazing versatility to complement traditional décor combines with exceptional performance to make the DRT6340/45 the perfect fit for your home.



FEATURED DRT6300 Red Rustic and Pine Oak log set.

EXCLUSIVE FEATURES

- 🔥 Clean-face design features ceramic glass for optimum heat transfer and safety
- 🔥 Tall opening provides an exceptional view of the flame
- 🔥 Evoke a traditional masonry fireplace with premium aged oak logs and beautiful glowing embers
- 🔥 Interior panel selections consist of ceramic brick or black porcelain
- 🔥 Gas controls are conveniently located to the side of the fireplace opening for easy installation, finishing and operation
- 🔥 Powerful burner system produces tall, dancing flames
- 🔥 Intermittent pilot ignition with battery backup to provide continued operation in the event of a power outage
- 🔥 All models come standard with fully functioning remote control
- 🔥 20 year limited warranty



FEATURED DRT6340 with Buff Rustic and Aged Oak log set.

INTERIOR LINER OPTIONS

(Required)

Choose from two ceramic brick liners or a black porcelain liner to complement your decor.



Buff Rustic



Buff Herringbone



Black Porcelain

EXTERIOR OPTIONS

(Optional)

Choose from two free-standing screen styles.

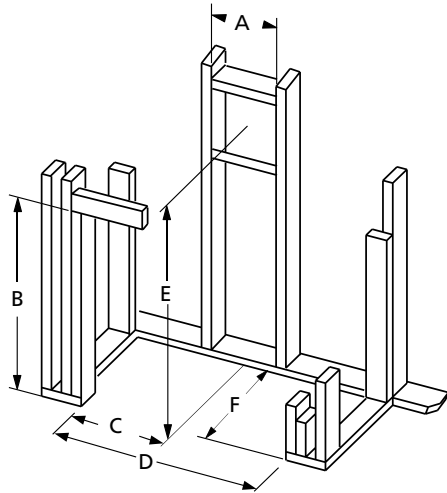


Dual Arch Screen



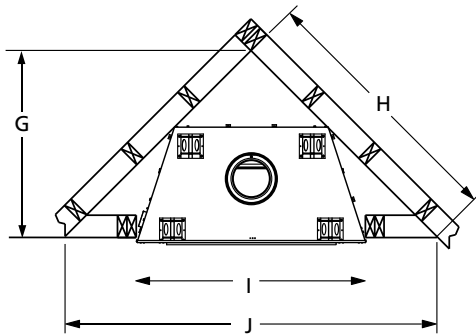
Classic Screen

FLAT WALL FRAMING SPECIFICATIONS



	40"	45"
A	13"	13"
B	43"	48"
C	25-3/8"	28-7/16"
D	50-3/4"	56-7/8"
E	75-1/8"	80-1/16"
F	25-1/4"	25-1/4"

CORNER FRAMING SPECIFICATIONS



	40"	45"
G	41-7/8"	44-7/8"
H	59-1/8"	63-1/2"
I	50-5/8"	56-3/4"
J	83-5/8"	89-7/8"

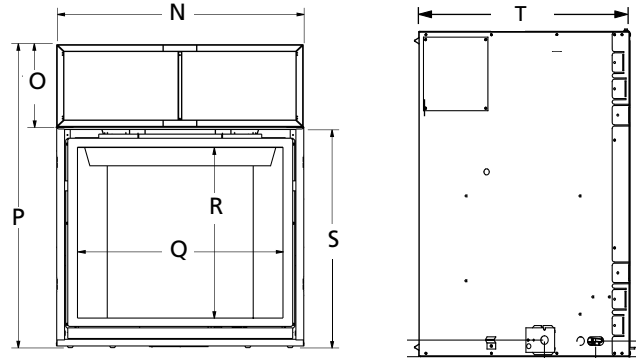
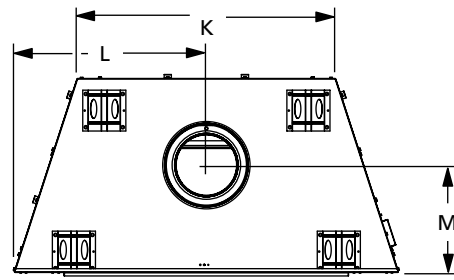
On the Cover: DRT6340 shown with Black Porcelain Liner and Aged Oak log set.

IMPORTANT NOTES:

As with any heating appliance, fireplace or stove, this appliance is extremely hot during operation. Read and understand all operating instructions before using this appliance. For further information, consult your dealer. Local conditions, such as elevation, wind, vent configuration and choice of fuel will affect overall appearance of the fire and heating performance. Performance can also vary with home design and insulation, climate, condition and type of fuel used, appliance location, burn rate, accessories chosen, chimney installation and how the appliance is operated.

Diagrams, illustrations and photographs are not to scale—consult installation instructions. Product designs, materials, dimensions, specifications, colors and prices are subject to change or discontinuance without notice.

APPLIANCE SPECIFICATIONS



	40"	45"
K	34"	40-1/8"
L	25-5/16"	28-3/8"
M	14-1/8"	14-1/8"
N	34-3/4"	40-49/64"
O	8-3/8"	8-3/8"
P	37-1/4"	42-1/4"
Q	34-3/4"	40-59/64"
R	29-9/32"	34-1/2"
S	33-3/32"	38-3/32"
T	26-15/32"	26-15/32"

FIREPLACE EFFICIENCIES

MODEL	FUEL	BTU/HR	ENERGUIDE*
DRT6340TEN	NG	32,000/50,000	35.8
DRT6340TEP	LP	32,000/50,000	69
DRT6345TYN	NG	32,000/42,000	71
DRT6345TEN	NG	38,500/60,000	69
DRT6345TEP	LP	38,500/60,000	69
DRT6345TYN	NG	35,000/48,000	69

*Intermittent ignition systems



© 2014 Innovative Hearth Products

785391M 01/14

Visit us online



www.SuperiorFireplaces.us.com

