

DRT4036/42

 CUSTOM SERIES DIRECT VENT FIREPLACES

Superior
FIREPLACES®
Our name is our promise.

TRADITIONAL

The DRT4036/42 direct vent gas fireplaces are a traditional design for a true masonry-built appearance, and offer an expansive glass opening for an exceptional view of the tall, dancing flames. The DRT4036/42 provides endless possibilities for making your living area warm and inviting.



FEATURED: DRT4036 shown with White Stacked Refractory Panels

EXCLUSIVE FEATURES

- 🔥 Available in 36" and 42" models
- 🔥 Conveniently located gas controls for easy installation and operation
- 🔥 Clean-face design allows more flexibility for a custom look
- 🔥 Multi-level burner produces tall, dancing flames with beautiful embers
- 🔥 Energy saving electronic controls with seamless battery backup provide continued operation in the event of a power outage
- 🔥 Standard tempered glass and 2015 ANSI barrier compliant
- 🔥 Tall opening provides an exceptional view of the flame
- 🔥 Ceramic fiber log set with cast iron metal grate
- 🔥 Detailed refractory panels available in multiple styles and colors
- 🔥 Includes on/off remote control
- 🔥 Optional blower available
- 🔥 20 year limited warranty



FEATURED DRT4036 shown with multi-level burner and its impressive flame display

INTERIOR

Choose from four realistic refractory panel designs.



White Herringbone



White Stacked



Red Herringbone



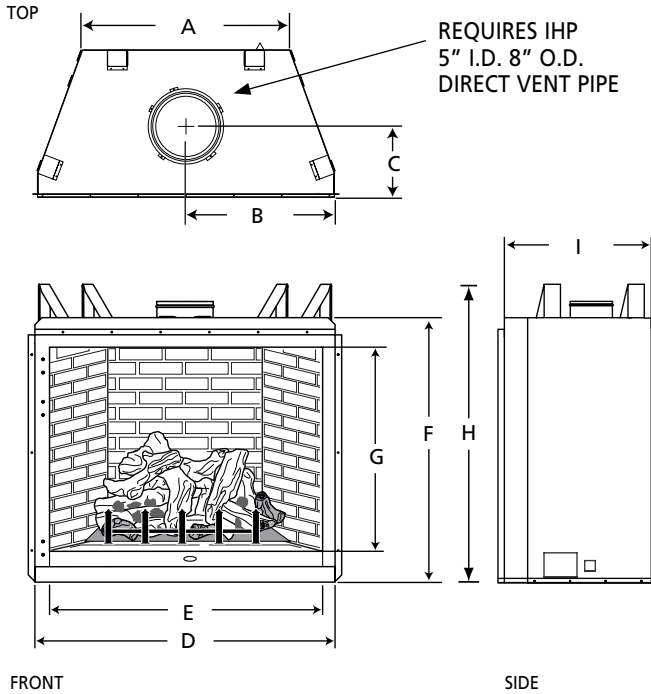
Red Stacked

INCLUDED ACCESSORY



Remote included

APPLIANCE SPECIFICATIONS



	DRT4036	DRT4042
A	29-1/8"	34-3/4"
B	20-1/2"	24"
C	11-7/8"	13-5/8"
D	41"	48"
E	35"	42"
F	40"	44"
G	30"	33-3/4"
H	44"	48"
I	21-1/8"	25-1/8"

FIREPLACE EFFICIENCIES — Listed to ANSI Z21.50 as a decorative gas appliance.

MODEL	FUEL	BTU/HR	P4 / ENERGUIDE*
DRT4036	NG	33,500	34.35%
DRT4036	LP	31,000	32.45%
DRT4042	NG	41,000	24.67%
DRT4042	LP	37,000	22.79%

*Intermittent ignition systems. Millivolt/Electronic.

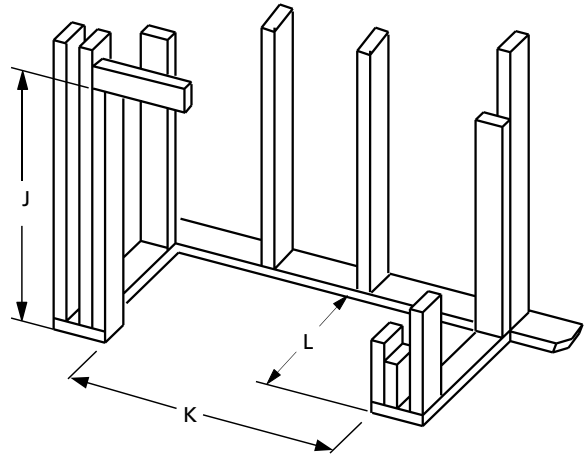
IMPORTANT NOTES:

As with any fireplace, this appliance is extremely hot during operation. Read and understand all operating instructions before using this appliance. For further information, consult your dealer.

Local conditions, such as elevation, wind, vent configuration and choice of fuel will affect overall appearance of the fire and heating performance. Performance can also vary with home design and insulation, climate, condition and type of fuel used, appliance location, burn rate, accessories chosen, chimney installation and how the appliance is operated.

Diagrams, illustrations and photographs are not to scale—consult installation instructions. Product designs, materials, dimensions, specifications, colors and prices are subject to change or discontinuance without notice.

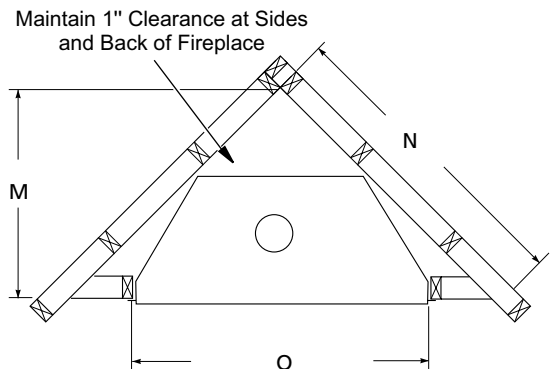
FLAT WALL FRAMING SPECIFICATIONS



	DRT4036	DRT4042
J	44"	48"
K	41-1/2"	48-1/8"
L	22-1/8"	26-1/8"

CORNER FRAMING SPECIFICATIONS

	DRT4036	DRT4042
M	36-3/8"	43-3/8"
N	51-3/8"	61-3/4"
O	41-1/2"	48-1/2"



Approved for use with European Copper and Chimney Classics chimney tops, which improve performance and add an elegant touch.



© Innovative Hearth Products 2015

785626M 01/15

Visit us online



SuperiorFireplaces.us.com

