



DESIGNED | to inspire

STOVES

Direct Vent Gas Stoves

GAS STOVES

Beautiful, Convenient Innovations

Heat & Glo gas stoves feature innovations in technology, design and safety. Unique designs offer easy installation and powerful, efficient heating to fill any space, from a cold basement to a drafty porch or living area.

Enhance your space with style and warmth. Heat & Glo gas stoves are the ideal solution.



Cover: Tiara I in espresso finish

Top: Paloma with gray glass front and hearth pad

GAS STOVES



PALOMA

The smart, sophisticated Paloma artfully blends European styling with advanced engineering. Its slender proportions and sleek lines perfectly suit more intimate spaces. Add serious style—and heating power—to your favorite space with this innovative Direct Vent gas stove.

Paloma shown above with curved glass front and optional hearth pad in bronze.



TIARA I

The Tiara I gas stove supplements moderately-sized areas with powerful, efficient heating. Beautifully-detailed cast iron framework and gorgeous flames deliver an attractive accent in any room. Choose from three different colors to match your décor.

Tiara I shown above in espresso.



TIARA II

The Tiara II is ideal for heating larger spaces. Sturdy, cast iron craftsmanship and intense flames add style and ambiance to any room. Compliment or accent your décor with detailed casting in three colors.

Tiara II shown above in matte black.



TIARA PETITE

The Tiara Petite is the smallest Heat & Glo gas stove available. This compact unit utilizes high-efficiency performance and Direct Vent technology to quickly heat smaller spaces. Innovative venting options help place the Tiara Petite in more spaces.

Tiara Petite shown above in matte black.

GAS STOVES



PALOMA FEATURES

- Unique, 41" vertical stove design
- Tall, slender flame with modern rock firebed
- Operates during a power outage with the IntelliFire® Auto-Ignition System



TIARA I FEATURES

- 18" glass panel viewing area
- Detailed cast iron construction
- Safe indoor air quality with Direct Vent Technology



TIARA II FEATURES

- 24" glass panel viewing area
- Detailed cast iron construction
- Detailed brick interior



TIARA PETITE FEATURES

- 13" glass panel viewing area
- Detailed cast iron construction
- Safe indoor air quality with Direct Vent Technology

GAS STOVES

PALOMA OPTIONS



Gray



Bronze



Gray



Bronze

GLASS FRONTS

Choose from two tinted, curved outer-glass fronts.

HEARTH PADS

Choose from two tinted glass hearth pads.

TIARA OPTIONS



FIREBOX REFRACTORY UPGRADE

Upgrade the inside of your firebox with brick. Available for the Tiara I only. Refractory upgrade comes standard in the Tiara II.



WARMING SHELVES

Optional warming shelves enhance the realistic, traditional stove experience. Available for the Tiara I and Tiara II.



Matte Black



Espresso



Cocoa Brown

OPTIONS NOT PICTURED

- Firescreen
- Grille top for use when venting out the rear of stove
- Touch-up paint

FINISH OPTIONS

Choose from matte black, espresso or cocoa brown.

TAKE CONTROL

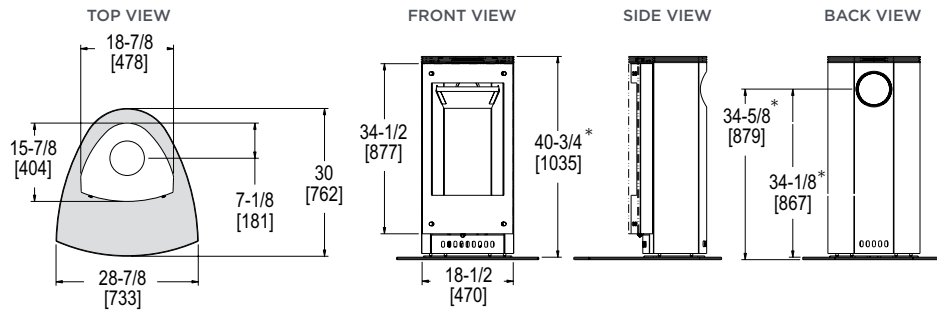
Add an optional wall switch or remote control for even more convenience.

	Wall Switch or Remote Control	IntelliFire or Standing Pilot	On/ Off	Fan Speed	Flame High/Low	Pilot Activation	AUX Function	Temp Readout	Thermostat Mode	Timer Mode	7-day Programmable	Battery Strength Indicator	Auto Battery Backup
WSK200-HNG (Available for Paloma only)	Wall	IntelliFire	•	•		•						•	•
RCTS-MLT (Available for Tiara I, II and Petite only)	Remote	Standing Pilot	•	•	•			•	•	•			
RCT-MLT-HNG (Available for Paloma only)	Remote	IntelliFire	•	•	•			•	•	•			
SMART-STAT-HNG (Available for all models)	Remote	Both	•					•	•	•			
SMARTBATTHNG-B (Available for Tiara I, II and Petite only)	Remote	Both	•					•	•	•			

PALOMA SPECIFICATIONS

MODEL	FRONT WIDTH	BACK WIDTH	HEIGHT	DEPTH	GLASS SIZE	BTU/HOUR INPUT
PALOMA	18-7/8	18-7/8	40-3/4	15-7/8	16-1/2 x 29	20,000-28,000 (NG)

Shown with optional hearth pad

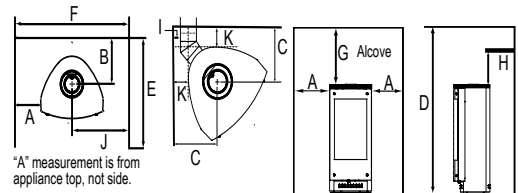


*Vertical measurement includes optional hearth pad height of 3/8"

CLEARANCES TO COMBUSTIBLES

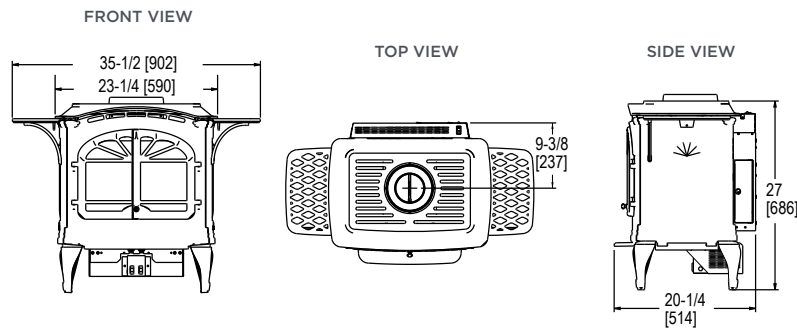
MODEL	A	B	C	D	E	F	G	H	I	J	K
PALOMA	6	10-1/8	12-1/8	54	36	30-3/4	13-1/4	13-1/4	1	15-1/2	5

Clearances are in inches. See installation manual for more information



TIARA I SPECIFICATIONS

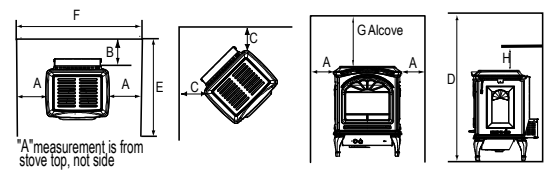
MODEL	FRONT WIDTH	BACK WIDTH	HEIGHT	DEPTH	GLASS SIZE	BTU/HOUR INPUT
TIARA I	35-1/2 with shelves 23-1/4 without shelves	35-1/2 with shelves 23-1/4 without shelves	27	20-1/4	17-1/2 x 15-1/2	21,000-30,000 (NG)



CLEARANCES TO COMBUSTIBLES

MODEL	A	B	C	D	E	F	G	H		
								Top of pipe	Side of pipe	Inside outside corner wall vent
TIARA I	8-1/2	1/4	3/8	54	36	40	27	1-1/2	1	9

Clearances are in inches. See installation manual for more information

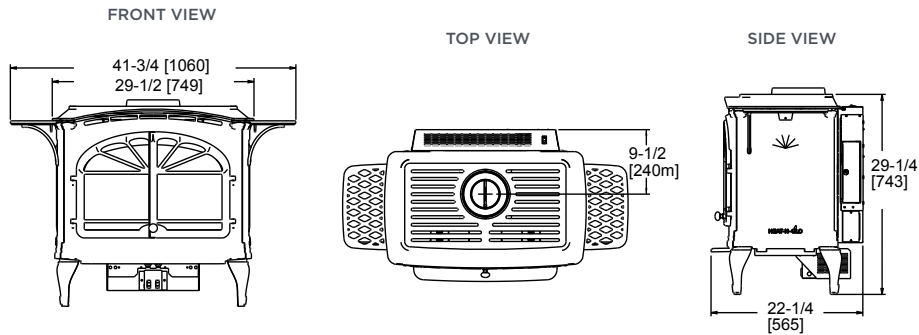


Dimensions in diagrams are in inches and millimeters. Dimensions in table are in inches. Product information is not complete and is subject to change without notice. Product installation must adhere strictly to instructions shipped with product. We recommend measuring individual units at installation. Assumes the use of 1/2" sheetrock. NOTE: Combustible material should not cover the face. Make sure you do NOT cover the decorative door opening.

Refer to installation manual for detailed specifications on installing this product. Heat & Glo reserves the right to update units periodically. The flame and ember appearance may vary based on the type of fuel burned and the venting configuration used. Actual product appearance, including flame, may differ from product images.

TIARA II SPECIFICATIONS

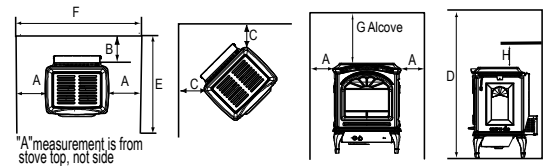
MODEL	FRONT WIDTH	BACK WIDTH	HEIGHT	DEPTH	GLASS SIZE	BTU/HOUR INPUT
TIARA II	41-3/4 with shelves 29-1/2 without shelves	41-3/4 with shelves 29-1/2 without shelves	29-1/4	22-1/4	23-3/4 x 14-3/4	27,000-38,500 (NG)



CLEARANCES TO COMBUSTIBLES

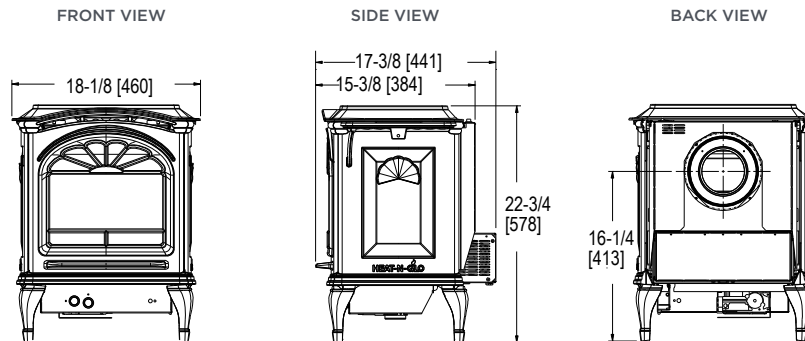
MODEL	A	B	C	D	E	F	G	H		
								Top of pipe	Side of pipe	Inside outside corner wall vent
TIARA II	5-1/4	1/4	3/8	54	36	40	31-3/4	1-1/2	1	9

Clearances are in inches. See installation manual for more information



TIARA PETITE SPECIFICATIONS

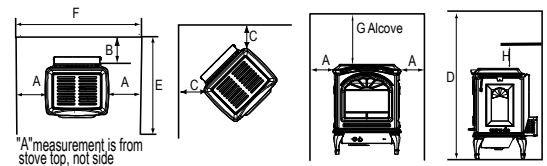
MODEL	FRONT WIDTH	BACK WIDTH	HEIGHT	DEPTH	GLASS SIZE	BTU/HOUR INPUT
TIARA PETITE	18-1/8	18-1/8	22-3/4	17-3/8	13 x 12	12,000-17,000 (NG)



CLEARANCES TO COMBUSTIBLES

MODEL	A	B	C	D	E	F	G	H
TIARA PETITE	6	2	2	43	36	30	20-1/4	19-1/2

Clearances are in inches. See installation manual for more information



Dimensions in diagrams are in inches and millimeters. Dimensions in table are in inches. Product information is not complete and is subject to change without notice. Product installation must adhere strictly to instructions shipped with product. We recommend measuring individual units at installation. Assumes the use of 1/2" sheetrock. NOTE: Combustible material should not cover the face. Make sure you do NOT cover the decorative door opening.

Refer to installation manual for detailed specifications on installing this product. Heat & Glo reserves the right to update units periodically. The flame and ember appearance may vary based on the type of fuel burned and the venting configuration used. Actual product appearance, including flame, may differ from product images.

INTELLIFIRE PLUS IGNITION SYSTEM

The IntelliFire™ Plus Ignition System (IPI Plus) is an advanced intermittent pilot ignition system with memory settings and a programmable wireless control. IPI Plus constantly monitors ignition, ensures safe functioning and conserves up to \$10/month in energy costs.



To learn more about IntelliFire Technology, scan the code to the right with your smartphone, or visit heatnglo.com.

DIRECT VENT TECHNOLOGY

Direct Vent fireplaces remove 100% of combustion exhaust and odors outside of the home. These sealed fireplaces provide optimal heat, conserve energy and ensure clean, safe indoor air quality.



To learn more about Direct Vent Technology, scan the code to the right with your smartphone, or visit heatnglo.com.

GAS STOVE EFFICIENCIES

U.S. EFFICIENCIES

Steady State - Since most homeowners use their fireplaces for an extended time while they are in the room, Steady State measures how efficiently your fireplace converts fuel to heat once it is warmed up and running in a “steady state”.

AFUE - AFUE rating is more typically used with appliances, like your furnace, that continually cycle on and off to maintain a constant temperature.

RATING	PALOMA	TIARA I	TIARA II	TIARA PETITE
Steady State	81.5 (NG), 81.5 (LP)	81.4 (NG), 82.7 (LP)	81.4 (NG), 82.8 (LP)	83.6 (NG), 85.8 (LP)
AFUE	67.4 (NG), 69.1 (LP)	66.8 (NG), 71.0 (LP)	66.8 (NG), 71.0 (LP)	76.0 (NG), 75.6 (LP)

CANADA EFFICIENCIES

EnerGuide (CSA P.4.1-02) - EnerGuide is a rating used in Canada to measure annual fireplace efficiency.

RATING	PALOMA	TIARA I	TIARA II	TIARA PETITE
EnerGuide (CSA P.4.1-02)	70.8 (NG), 71.9 (LP)	57.3 (NG), 56.4 (LP)	57.3 (NG), 56.4 (LP)	67.4 (NG), 69.5 (LP)

For complete information on this model, please contact us at:

HEAT & GLO

No one builds a better fire

A brand of Hearth & Home Technologies Inc.
7571 215th Street West, Lakeville, MN 55044
Web: heatnglo.com
Phone: (888) 427-3973 (952) 985-6000
E-mail: info@heatnglo.com

facebook.com/HeatandGlo
 twitter.com/HeatandGlo
 youtube.com/HeatandGlo

LIMITED LIFETIME WARRANTY*

The strongest in the industry, Heat & Glo provides a limited lifetime warranty on the most important aspects: firebox and heat exchanger.

*For full warranty details, go to www.heatnglo.com.

Fireplace, insert and stove surfaces get extremely HOT and can cause severe burns if touched. Keep a safe distance away. To learn more visit: www.heatnglo.com/fireplacesafety

HNG-1054U-0213

